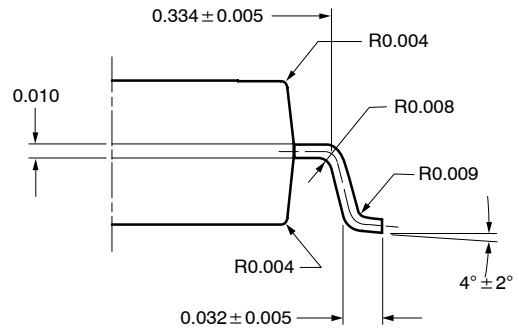
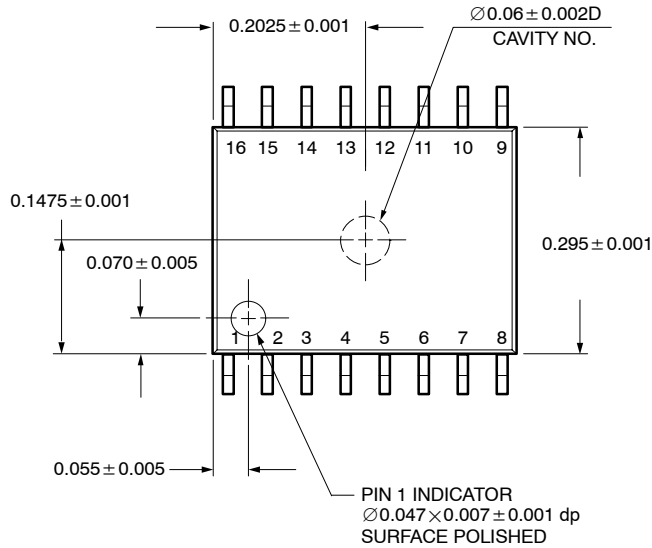


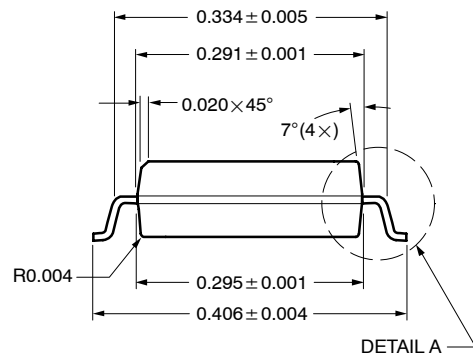
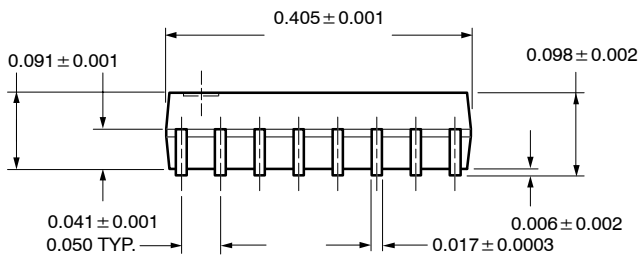


SOIC (WIDE-BODY): 16-LEAD (POWER IC ONLY)

ECN: S-40079—Rev. A, 02-Feb-04
DWG: 5910



DETAIL A



DETAIL A

All Dimensions In Inches